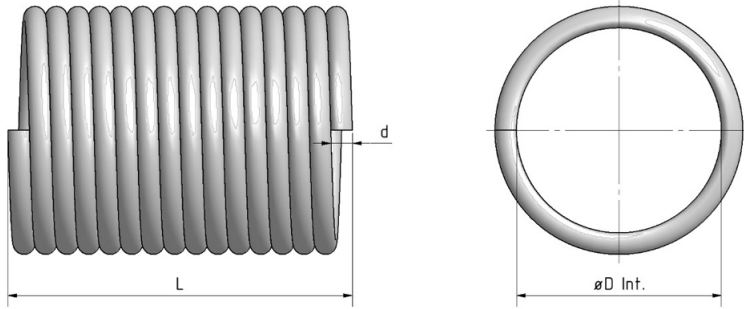




Spring: DIN 17223.



Details: D<sub>int</sub> - d - L

Item nb.	Description
31950L300	Spring Galvanized 45-5.0-3000 left
31950R300	Spring Galvanized 45-5.0-3000 right
31955L350	Spring Galvanized 45-5.5-3500 left
31955R350	Spring Galvanized 45-5.5-3500 right
31960L300	Spring Galvanized 45-6.0-3000 left
31960R300	Spring Galvanized 45-6.0-3000 right
32950L120	Spring Galvanized 50-5.0-1200 left
32950L300	Spring Galvanized 50-5.0-3000 left
32950R120	Spring Galvanized 50-5.0-1200 right
32950R300	Spring Galvanized 50-5.0-3000 right
32955L100	Spring Galvanized 50-5.5-1000 left
32955L120	Spring Galvanized 50-5.5-1200 left
32955L300	Spring Galvanized 50-5.5-3000 left
32955L325	Spring Galvanized 50-5.5-3250 left
32955L350	Spring Galvanized 50-5.5-3500 left
32955R100	Spring Galvanized 50-5.5-1000 right
32955R120	Spring Galvanized 50-5.5-1200 right
32955R300	Spring Galvanized 50-5.5-3000 right
32955R325	Spring Galvanized 50-5.5-3250 right
32955R350	Spring Galvanized 50-5.5-3500 right
32960L080	Spring Galvanized 50-6.0-800 left
32960L100	Spring Galvanized 50-6.0-1000 left
32960L300	Spring Galvanized 50-6.0-3000 left
32960L360	Spring Galvanized 50-6.0-3600 left
32960R080	Spring Galvanized 50-6.0-800 right
32960R100	Spring Galvanized 50-6.0-1000 right
32960R120	Spring Galvanized 50-6.0-1200 right
32960R300	Spring Galvanized 50-6.0-3000 right
32960R360	Spring Galvanized 50-6.0-3600 right
3296520000	Spring Galvanized 50-6.5-2000 left
3296520001	Spring Galvanized 50-6.5-2000 right

### Details



*door-solutions*

32965L100 Spring Galvanized 50-6.5-1000 left  
32965L300 Spring Galvanized 50-6.5-3000 left  
32965L325 Spring Galvanized 50-6.5-3250 left  
32965R100 Spring Galvanized 50-6.5-1000 right  
32965R300 Spring Galvanized 50-6.5-3000 right  
32965R325 Spring Galvanized 50-6.5-3250 right  
32970L350 Spring Galvanized 50-7.0-3500 left  
32970R350 Spring Galvanized 50-7.0-3500 right  
32975L350 Spring Galvanized 50-7.5-3500 left  
32975R350 Spring Galvanized 50-7.5-3500 right  
33960L080 Spring Galvanized 67-6.0-800 left  
33960L140 Spring Galvanized 67-6.0-1400 left  
33960L300 Spring Galvanized 67-6.0-3000 left  
33960R080 Spring Galvanized 67-6.0-800 right  
33960R140 Spring Galvanized 67-6.0-1400 right  
33960R300 Spring Galvanized 67-6.0-3000 right  
33965L300 Spring Galvanized 67-6.5-3000 left  
33965R300 Spring Galvanized 67-6.5-3000 right  
33970L120 Spring Galvanized 67-7.0-1200 left  
33970L325 Spring Galvanized 67-7.0-3250 left  
33970R120 Spring Galvanized 67-7.0-1200 right  
33970R325 Spring Galvanized 67-7.0-3250 right  
33975L140 Spring Galvanized 67-7.5-1400 left  
33975L275 Spring Galvanized 67-7.5-2750 left  
33975L350 Spring Galvanized 67-7.5-3500 left  
33975R140 Spring Galvanized 67-7.5-1400 right  
33975R275 Spring Galvanized 67-7.5-2750 right  
33975R350 Spring Galvanized 67-7.5-3500 right  
33980L300 Spring Galvanized 67-8.0-3000 left  
33980R300 Spring Galvanized 67-8.0-3000 right  
34965L160 Spring Galvanized 95-6.5-1600 left  
34965L300 Spring Galvanized 95-6.5-3000 left  
34965R160 Spring Galvanized 95-6.5-1600 right  
34965R300 Spring Galvanized 95-6.5-3000 right  
34970L100 Spring Galvanized 95-7.0-1000 left  
34970L160 Spring Galvanized 95-7.0-1600 left  
34970L300 Spring Galvanized 95-7.0-3000 left  
34970R100 Spring Galvanized 95-7.0-1000 right  
34970R160 Spring Galvanized 95-7.0-1600 right  
34970R300 Spring Galvanized 95-7.0-3000 right  
34975L100 Spring Galvanized 95-7.5-1000 left  
34975L160 Spring Galvanized 95-7.5-1600 left  
34975L325 Spring Galvanized 95-7.5-3250 left  
34975R100 Spring Galvanized 95-7.5-1000 right  
34975R160 Spring Galvanized 95-7.5-1600 right  
34975R325 Spring Galvanized 95-7.5-3250 right  
34980L100 Spring Galvanized 95-8.0-1000 left  
34980L325 Spring Galvanized 95-8.0-3250 left  
34980R100 Spring Galvanized 95-8.0-1000 right  
34980R325 Spring Galvanized 95-8.0-3250 right  
34985L250 Spring Galvanized 95-8.5-2500 left  
34985R250 Spring Galvanized 95-8.5-2500 right



*door-solutions*

34990L300 Spring Galvanized 95-9.0-3000 left  
34990R300 Spring Galvanized 95-9.0-3000 right  
36910L275 Spring Galvanized 152-10.0-2750 left  
36910R275 Spring Galvanized 152-10.0-2750 right  
36995L120 Spring Galvanized 152-9.5-1200 left  
36995L250 Spring Galvanized 152-9.5-2500 left  
36995R120 Spring Galvanized 152-9.5-1200 right  
36995R250 Spring Galvanized 152-9.5-2500 right